

# PUV AUX Output

The PUV remote receiver has an auxiliary relay in it that can be used to control an additional device, such as a fan.

## OPERATION

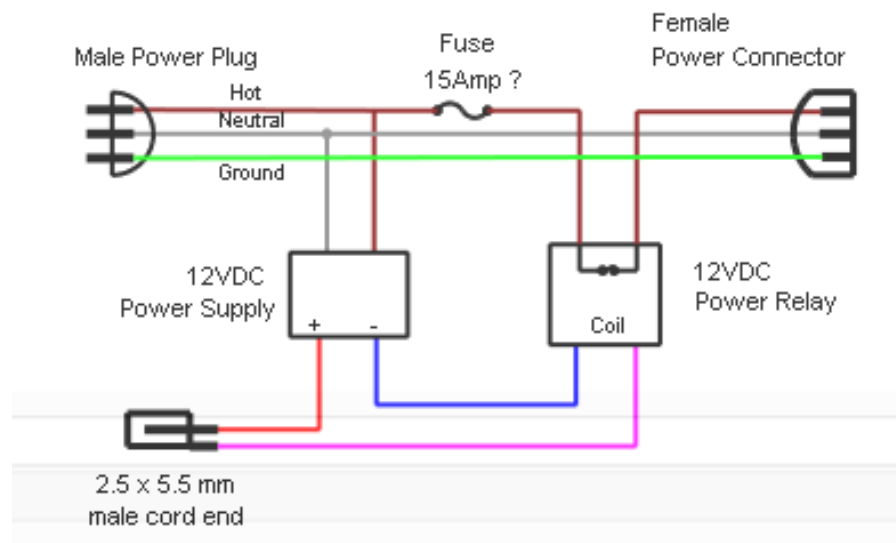
Pushing the Aux on / Aux off buttons on the transmitter turns this relay on and off. The contacts are rated at 5 Amps, 24 VDC. This relay contact is brought out of the Aux relay jack. This jack is a 5.5 x 2.5 mm connector. It is the same size as is found on many small wall wart power supplies.

DO NOT put power into this jack! It is not a power input to the receiver. It is a dry relay contact to be used as a button or switch to turn something else on and off.

DO NOT run straight line power (mains- 120 / 220 AC) power through this jack! The circuit power and jack are not designed for this. A dangerous condition would result, with a good chance of electrical shock or equipment damage.

## CONNECTION

Here is a possible connection diagram to use the Aux output to control a 120VAC load. The power supply can be any 12 wall wart with enough power to run relay. The relay should have 15Amp contacts and be rated for 120VAC.



## NOTES

It was decided to not include the 120 relay in the remote receiver for several reasons:

1. Cost: A larger relay, larger circuit board, and larger enclosure becomes costly.
2. Size: The receiver size would increase substantially to accommodate the relay and plugs.
3. Power: There is not enough power available from the fogger to switch a larger relay.
4. Approvals: Switching 120VAC directly would require UL approvals.